

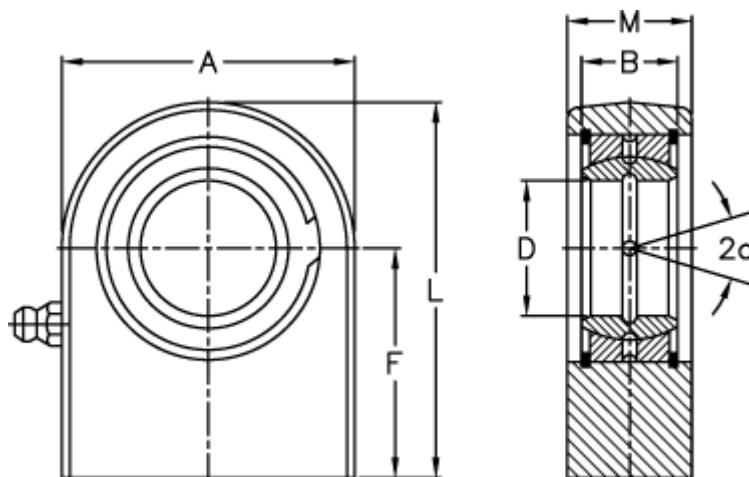
# Data Sheet



Article number: 03556120

Description: Fluro hydraulic rod end FS 120N

## Measures



A	= 360	Static load C0 (kN) = 3250
a (degrees)	= 6	Weight = 79500
B	= 85	
D	= 120	
Dynamic load C (kN)	= 950	
F	= 210	
L	= 390	
M	= 90	